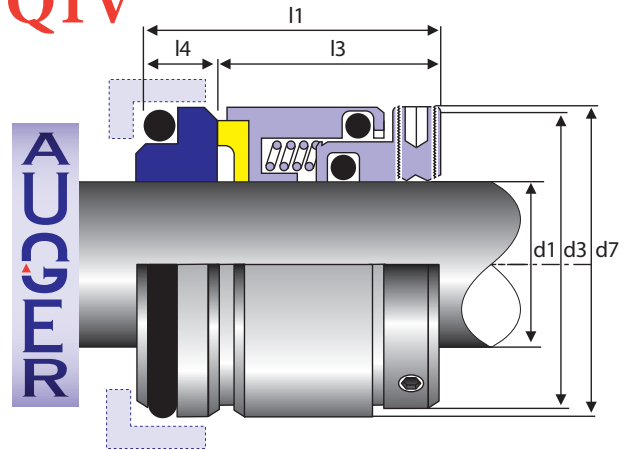
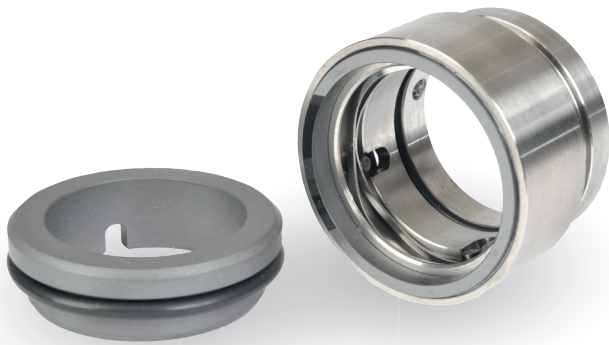


▶ AUGER PROCES SEAL TYPE AJB- QQV / Q1Q1V

▼ WE SEAL PUMPS!



Dimensions for material QQV

Dimensions in millimeters

Diameter d1	d3	d7	l3	l4	l1
18	32	33	28,50	9,00	37,50
20	34	35	28,50	9,00	37,50
22	36	37	28,50	9,00	37,50
24	38	39	31,00	9,00	40,00
25	39	40	31,00	9,00	40,00
28	42	43	33,00	9,50	42,50
30	44	45	33,00	9,50	42,50
32	47	48	33,00	9,50	42,50
33	47	48	33,00	9,50	42,50
35	49	50	33,00	9,50	42,50
38	54	56	34,50	10,50	45,00
40	56	58	34,50	10,50	45,00
43	59	61	34,50	10,50	45,00
45	61	63	34,50	10,50	45,00
48	64	66	34,50	10,50	45,00
50	66	70	35,50	12,00	47,50
53	69	73	35,50	12,00	47,50
55	71	75	35,50	12,00	47,50
58	78	78	39,50	13,00	52,50
60	80	80	39,50	13,00	52,50
63	83	83	39,50	13,00	52,50
65	85	85	39,50	13,00	52,50
68	88	90	39,00	13,50	52,50
70	90	92	46,00	14,00	60,00
75	99	97	46,00	14,00	60,00
80	104	105	46,00	14,00	60,00
85	109	110	46,00	14,00	60,00
90	114	115	49,50	15,50	65,00
95	119	120	49,50	15,50	65,00
100	124	125	49,50	15,50	65,00

SPECIFICATIONS

- T°C: -20 ~ 200 °C
- V: 20 m/s
- P: 30 bar
- Balanced seal
- Double directional

APPLICATIONS

- Chemical pumps
- Din-pumps
- Waste-water pumps

MATERIALS

- Faces: Q, Q1
- TC, B&A Carbon
- Metal parts: st/st 304 & 316
- O-rings: Viton a.o

REMARKS

- Special materials on request

AUGER_{N.V.}

Kemelbeekstraat 30 - 2460 TIELEN - Belgium

T +32 (0)14 86 03 55 E info@auger.be W www.auger.be